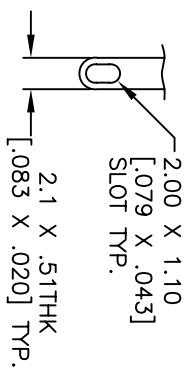
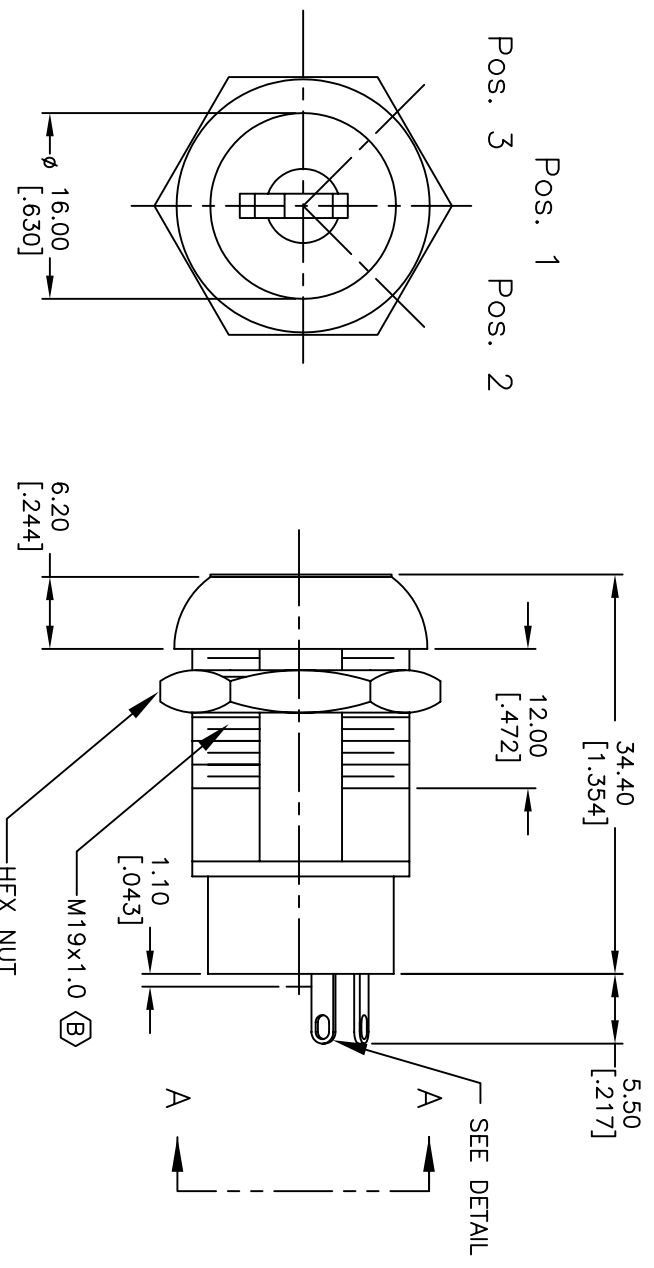


RECOMMENDED PANEL LAYOUT

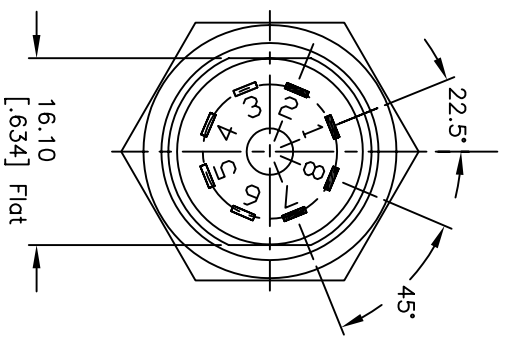


TERMINAL DETAIL
SCALE 2X



Pos. 1
Pos. 2
Pos. 3

Pos. 1 Ref.



B	19509	CHANGED THREAD DESCRIPTION	12/08/10	BGL
A	11566	RELEASED FOR PRODUCTION	7/12/01	CJB
REV.	ECN No.	DESCRIPTION	DATE	CHKD

TITLE		SCALE		DATE	DR	DWG	REV
K0129J-A126		1:1		7/12/01	CB	K200314	B



- NOTES:
1. ALL DIMENSIONS IN MM [INCH]
 2. GENERAL TOLERANCE: X.X=±0.4
X.XX=±0.25
 3. TERM. NOS. FOR REF. ONLY
 4. CONTACT RATING: 4A @125VAC/28VDC, 2A @250VAC
 5. DIELECTRIC STRENGTH: 1KV RMS min. at sea level
 6. ELECTRICAL LIFE: 10,000 make-and-break cycles at full load.
 7. MATERIALS:

CONTACTS: Silver Plated CU (Q Contact material)
 TERMINALS: Silver Plated Cu (Q Contact material)
 MOUNTING NUT: Nickel Plated zinc alloy
 CONTACT SPRING: Piano Wire
 KEYS: (QTY. 2) Brass with code no. A126
 LOCK: Bright Ni plated zinc alloy with NI facing
 TUMBLER Mechanism: 4-disc tumbler cylinder.

- LEGEND
- =Detent Positions (45°)
 - ⊙ =Key pull possible in these positions
 - ▲ =MOMENTARY POS.

CIRCUIT: SP (45° INDEXING) CONTACT CONFIGURATION		
SWITCH FUNCTION	CONNECTED TERMINAL #	POS. #
POS. 1	POS. 2	POS. 3
8-1	1-2	8-7

